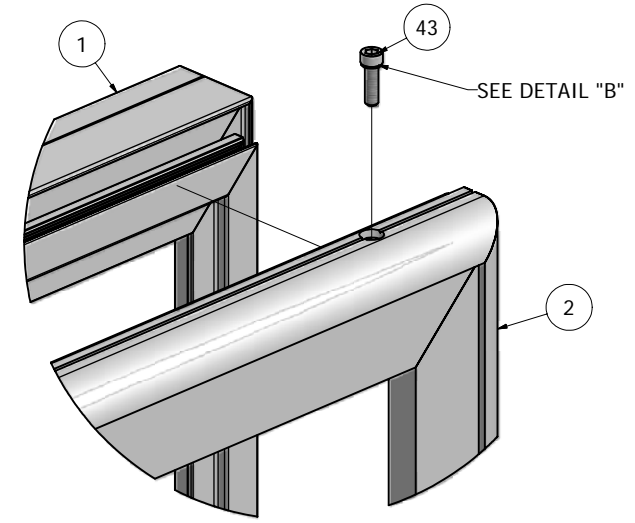
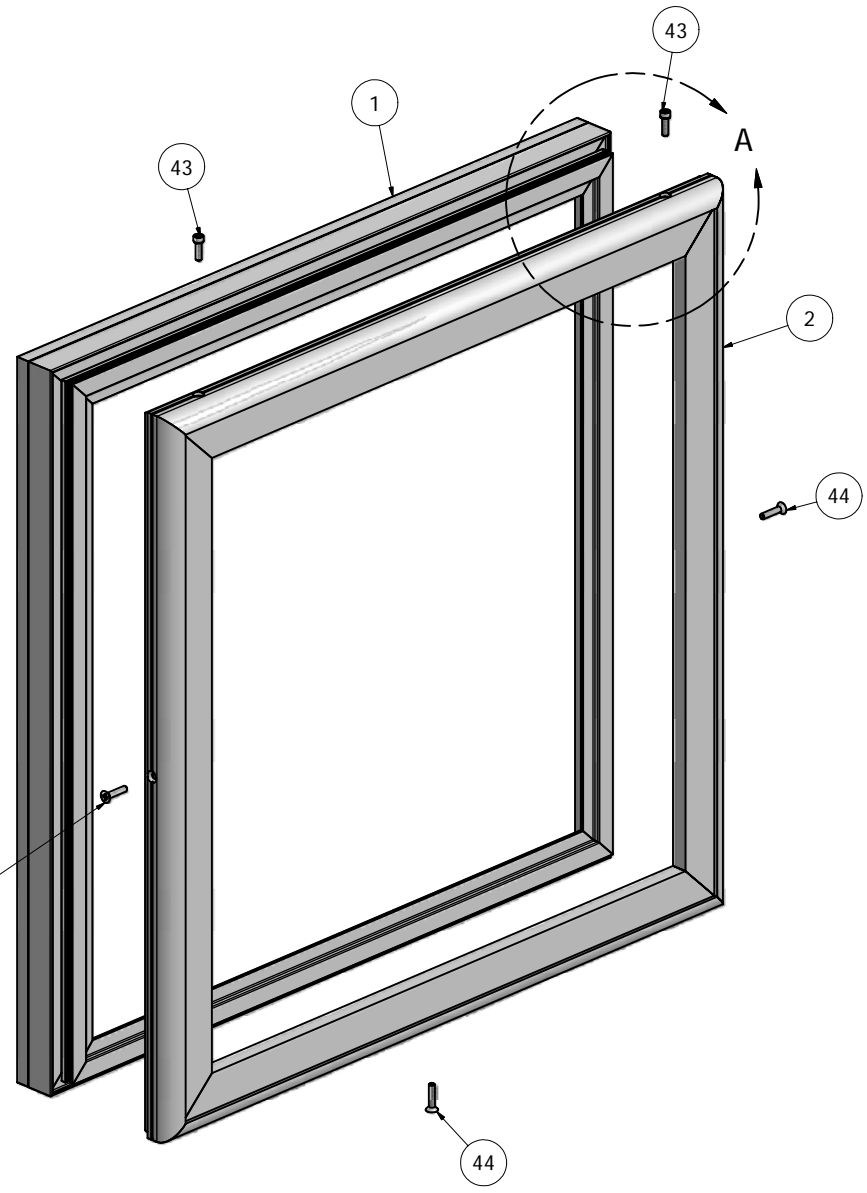


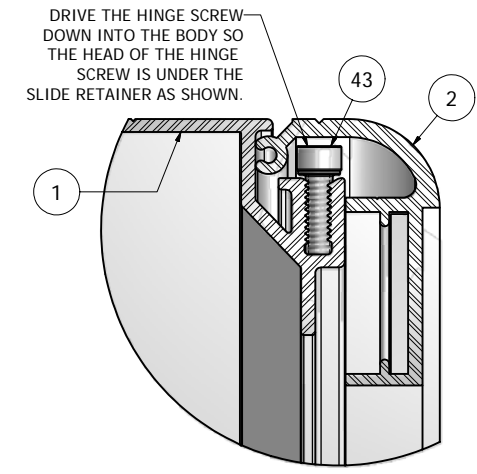
Parts List			
ITEM	PART #	DESCRIPTION	NOTES
1	K1600	Series 7/12 Retro Hinge Body	Assembly
2	K1640	1/4 Round Retainer	Assembly
43	5280	Hinge Screw	Drill 11/32" Pilot Hole
44	5230	Closure Screw	Drill #10 Counter Sink

Ship To:

Order #:



DETAIL A



DETAIL B

NOTE: PRE-CUT KITS ARE NOT PRE-DRILLED.

(Holes shown in this drawing are for reference only. Drilling of pilot holes are to be done by fabricator.)

THIS DRAWING WAS CREATED AT NO CHARGE TO ASSIST YOU IN VISUALIZING OUR PROPOSAL. THE DRAWING HEREIN IS THE PROPERTY OF SIGNCOMP. PERMISSION TO COPY OR REVISE THIS DRAWING OR TO USE THIS DRAWING FOR PRODUCTION IS STRICTLY PROHIBITED AND CAN ONLY BE COPIED, REVISED OR USED FOR PRODUCTION WITH THE EXPRESSED WRITTEN PERMISSION OF SIGNCOMP.

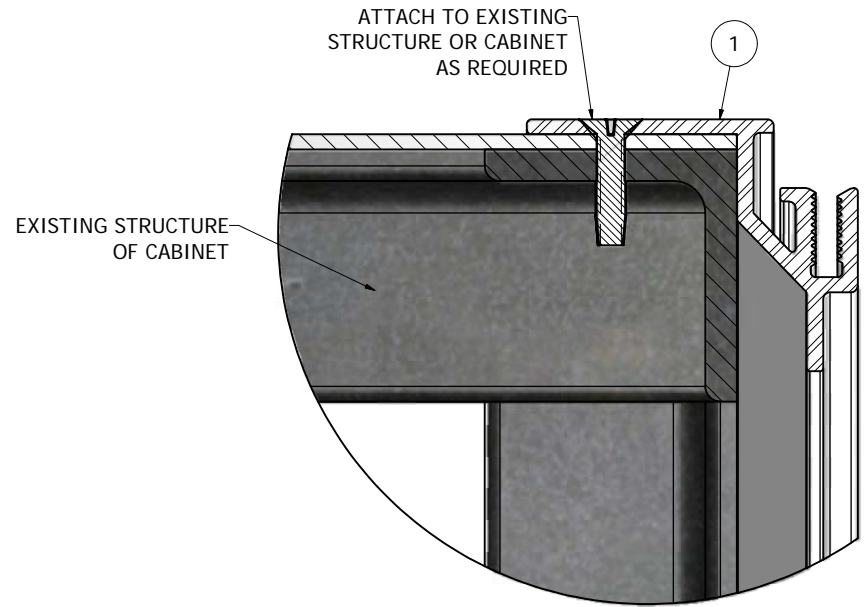
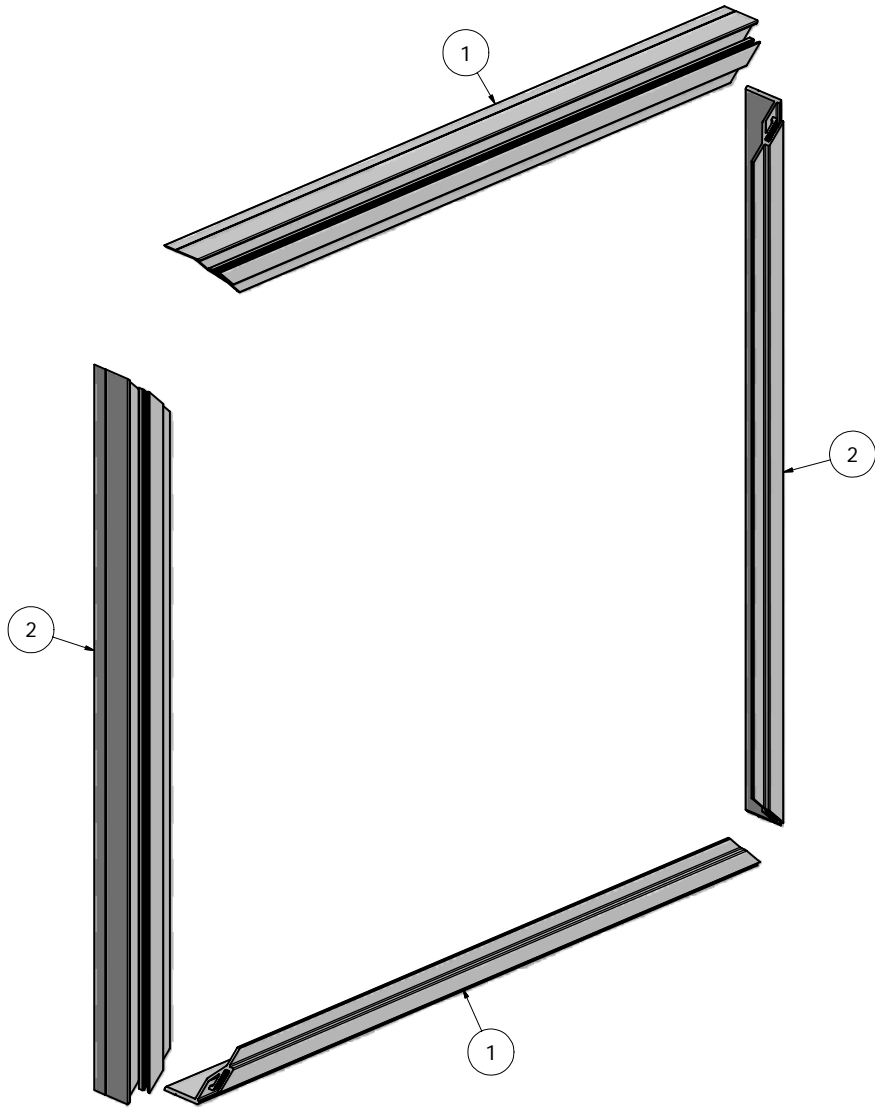
DRAWN Steve	2/5/2009	SignComp		
CHECKED				
QA		TITLE Series 7/12 Retro Hinge Body - 1/4 Round Retainer - Assembly		
MFG		SIZE C	DWG NO K1600/40	REV
APPROVED		SCALE	SHEET 1 OF 1	

Parts List			
ITEM	PART #	DESCRIPTION	NOTES
1	1600	Series 7/12 Retro Hinge Body	Top & Bottom - Attach to existing structure
2	1600	Series 7/12 Retro Hinge Body	Sides - Attach to existing structure

Ship To:

Order #:

D
C
B
A



DETAIL A

NOTE: PRE-CUT KITS ARE NOT PRE-DRILLED.

(Holes shown in this drawing are for reference only.
Drilling of pilot holes are to be done by fabricator.)

THIS DRAWING WAS CREATED AT NO CHARGE TO ASSIST YOU IN VISUALIZING OUR PROPOSAL. THE DRAWING HEREIN IS THE PROPERTY OF SIGNCOMP. PERMISSION TO COPY OR REVISE THIS DRAWING OR TO USE THIS DRAWING FOR PRODUCTION IS STRICTLY PROHIBITED AND CAN ONLY BE COPIED, REVISED OR USED FOR PRODUCTION WITH THE EXPRESSED WRITTEN PERMISSION OF SIGNCOMP.

DRAWN Steve	2/4/2009	<h1>SignComp</h1> <p>Series 7/12 Retro Hinge Body - Assembly</p>		
CHECKED				
QA				
MFG				
APPROVED				
		SIZE C	DWG NO K1600	REV
		SCALE	SHEET 1 OF 1	

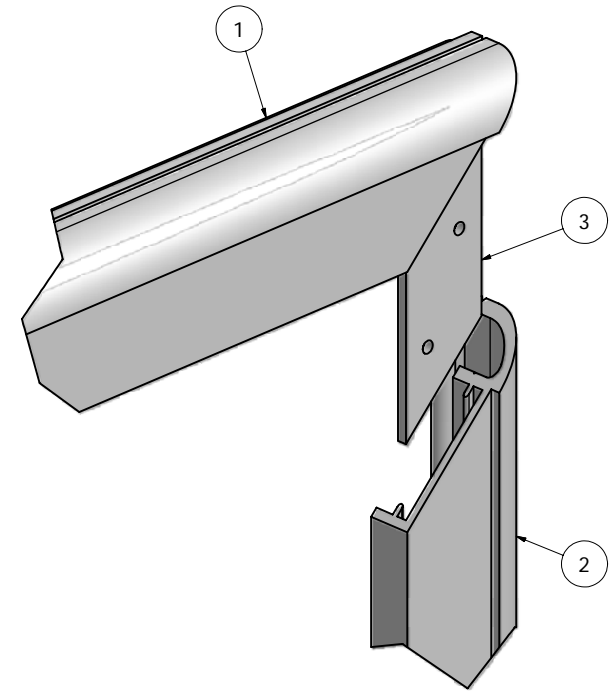
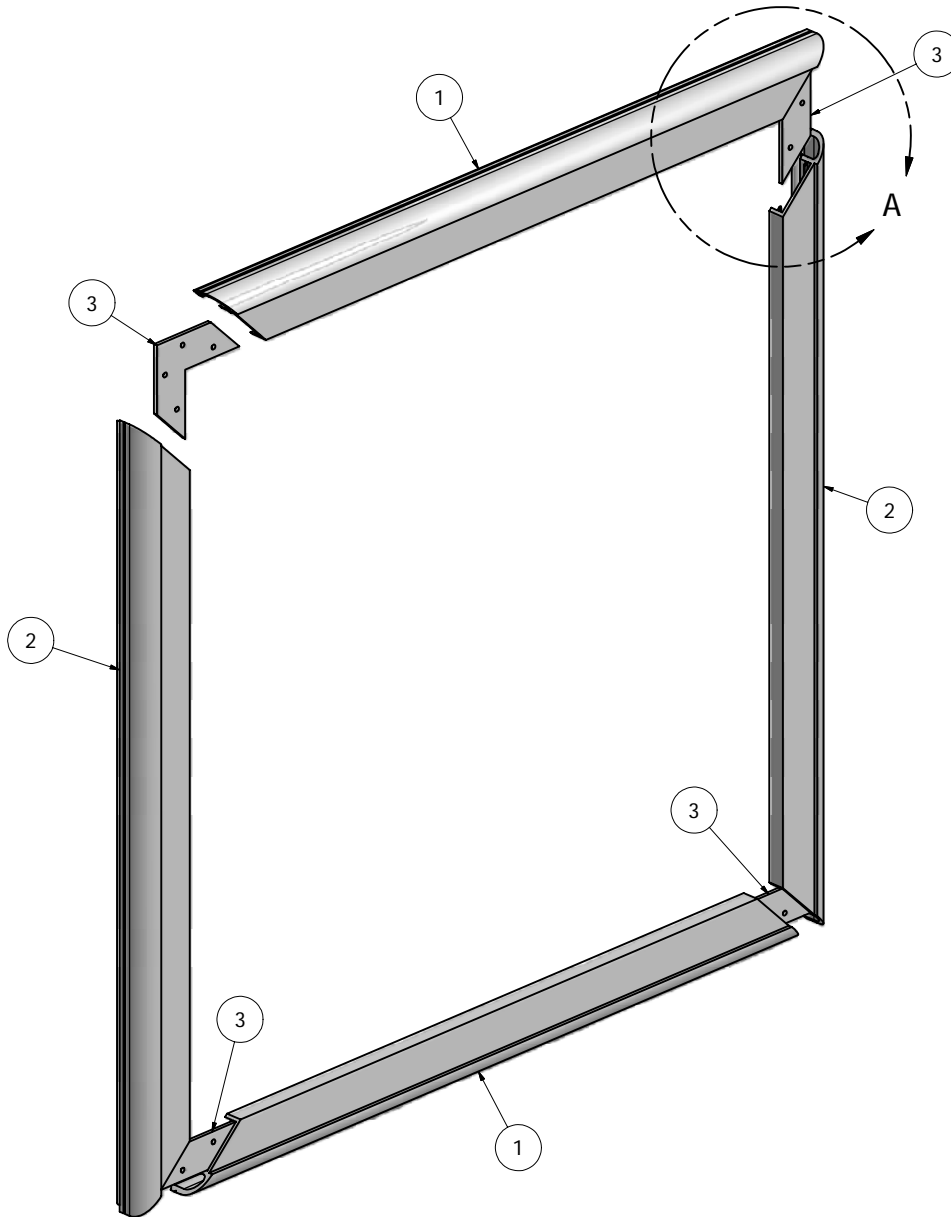
D
C
B
A

4 3 2 1

Parts List			
ITEM	PART #	DESCRIPTION	NOTES
1	1640	1/4 Round Retainer	Top & Bottom
2	1640	1/4 Round Retainer	Sides
3	5210	Corner Key	Pre-Punched

Ship To:

Order #:



DETAIL A

NOTE: PRE-CUT KITS ARE NOT PRE-DRILLED.

(Holes shown in this drawing are for reference only.
Drilling of pilot holes are to be done by fabricator.)

THIS DRAWING WAS CREATED AT NO CHARGE TO ASSIST YOU IN VISUALIZING OUR PROPOSAL. THE DRAWING HEREIN IS THE PROPERTY OF SIGNCOMP. PERMISSION TO COPY OR REVISE THIS DRAWING OR TO USE THIS DRAWING FOR PRODUCTION IS STRICTLY PROHIBITED AND CAN ONLY BE COPIED, REVISED OR USED FOR PRODUCTION WITH THE EXPRESSED WRITTEN PERMISSION OF SIGNCOMP.

DRAWN	12/22/2008	<h1>SignComp</h1> <p>1/4 Round Retainer - Assembly</p>		
Steve				
CHECKED				
QA				
MFG				
APPROVED		SIZE	DWG NO	REV
		C	K1640	
		SCALE	SHEET 1 OF 1	